



PROTEUS™
RAYZOR 760™



The **Rayzor 760™** is a compact yet extremely powerful IP65 rated Wash Effects fixture featuring Elation's unique SparkLED™ system and fast continuous Pan and Tilt motion. With its wide zoom range from 5° to 77° it provides intense and well-defined mid-air beams at over 8,000 lumens as well as an exceptionally wide and even wash coverage, making it a perfect tool for any application, even in adverse outdoor conditions. SparkLEDs offer a prominent and innovative LED pixel effect with dedicated high brightness pixels inside the large front lenses for additional layers of creativity.

Driven by 7, independently controlled, 60W RGBW LEDs, delivering over 8,000 lumens of output with a total power of 420W, the Rayzor 760 provides a powerful beam that stands out on any stage. The oversized front lenses create a large surface on the fixture that is enhanced by the exclusive patent pending SparkLEDs technology. SparkLEDs consists of 28 individual white LEDs, strategically placed inside the lens itself to create a unique additional layer, allowing designers access to a new and innovative way of creating interest on the stage. Rayzor 760 offers this never seen before style of internal lens illumination for depth and visual impact. SparkLEDs are controllable by the lighting console or driven by a multitude of internal FX patterns.

In addition to its powerful wash and enhanced effects, the Rayzor 760 offers precise continuous pan & tilt rotation, allowing variable speed from slow to extremely fast movement effects. Combining the powerful LED output with the SparkLEDs while utilizing the 360° movement, allows the designer to create endless, unique and appealing designs from mid-air beams or wide stage washes to subtle effects for mood or the TV camera lens.

FEATURES

IP65 Certified LED Wash Effects Fixture

7x 60W OSRAM RGBW LED with Pixel Control

28x 2W SparkLED™ Effect with Pixel Control (patent pending)

Extreme Zoom – 5° for Mid-Air Beam to 77° for Even Washes

Fast and Precise 360° Continuous Pan and Tilt Rotation

Beam FX and Smooth Wash Fixture in a Compact Housing

FIL (Form In Lay) Polyurethane Foam Packaging Included



ELATION | PROTEUS RAYZOR 760 | Product Specification Sheet

Specifications are subject to change without notice ©Elation Professional 10/09/19

Elation Professional USA | 6122 S. Eastern Ave. | Los Angeles, CA. 90040
323-582-3322 | 323-832-9142 fax | www.elationlighting.com | info@elationlighting.com

Elation Professional B.V. | Junostraat 2 | 6468 EW Kerkrade, The Netherlands
+31 45 546 85 66 | +31 45 546 85 96 fax | www.elationlighting.eu | info@elationlighting.eu

PRODUCT SPECIFICATIONS

SOURCE

(7) 60W Osram RGBW LEDs
 (28) 2W White SparkLED™
 Up To 50,000 Hours LED Life*

*Test lab conditions. May vary depending on several factors including but not limited to:
 Environmental Conditions, Power/Voltage, Usage Patterns (On-Off Cycling), Control, and Dimming.

PHOTOMETRIC DATA

Up To 8,000 Total Lumen Output

EFFECTS

Motorized Zoom (5° - 77°)
 Linear Color Temperature Presets (2,700 - 8,000K)
 RGBW Color Mixing and Pixel Control
 White SparkLED Lens Effect
 Color Presets and Macros
 Electronic Strobe and Variable Dimming Curves
 16-bit Dimming

CONTROL / CONNECTIONS

3 DMX Channel Modes (25 / 52 / 80 channels)
 360° Continuous Pan and Tilt Movement
 900 - 25,000 Hz DMX Adjustable Refresh Rate
 6 Button Touch Panel
 Full Color 180° Reversible LCD Menu Display
 DMX, RDM, Art-NET, and sACN Protocol Support
 IP65 5pin XLR DMX In/Out
 IP65 RJ45 Ethernet In/Out
 Neutrik PowerCON TRUE1 Power In/Out

SIZE / WEIGHT

Length: 14.31 in (363.4mm)
 Width: 10.24 in (259.97mm)
 Height: 19.43 in (493.44mm)
 Weight: 41.0 lbs. (18.6kg)

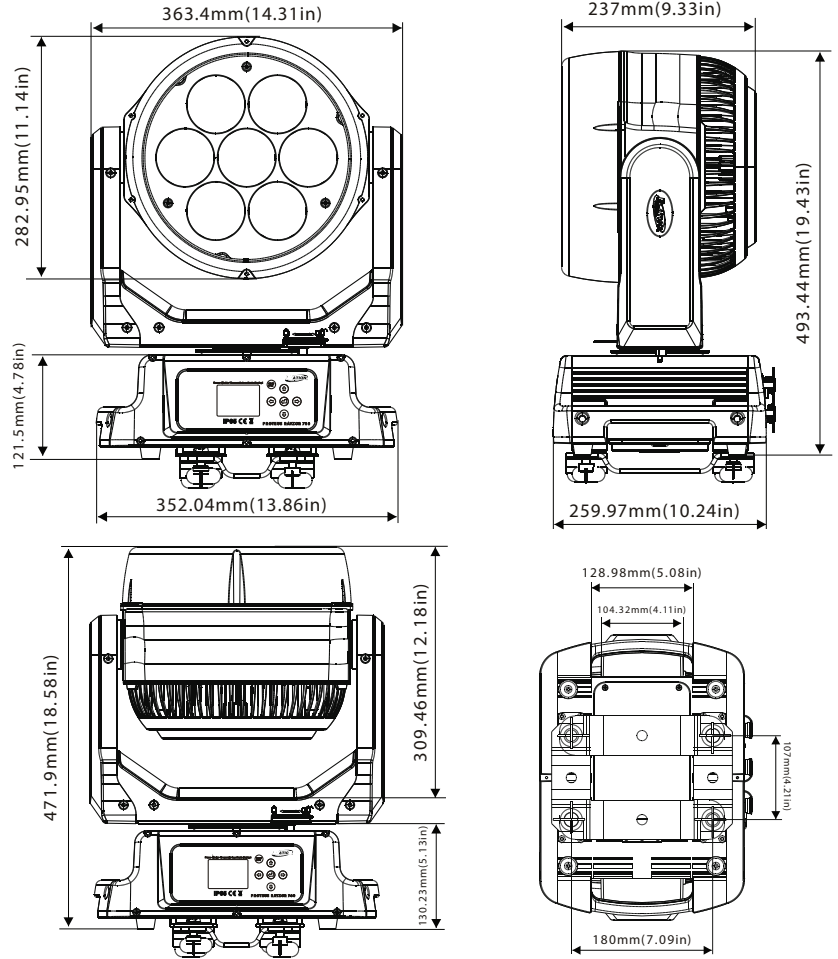
ELECTRICAL / THERMAL

AC 100-240V - 50/60Hz
 700W Max Power Consumption
 14°F to 113°F (-10°C to 45°C)

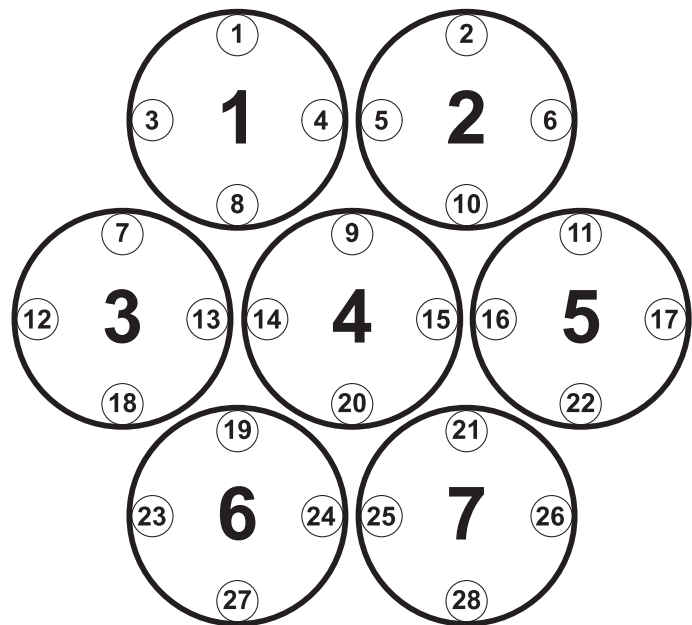
APPROVALS / RATINGS

CE | cETLus | FCC | IP65

DIMENSIONS



RGBW and SparkLED PIXEL MAPPING



ORDERING INFORMATION

PRR760	PROTEUS RAYZOR 760
DRCPRO760	Quad Road Case For PROTEUS RAYZOR 760
TRIGGER CLAMP	Heavy Duty Wrap Around Hook Style Clamp
STR527	5 ft. (1.5m) IP65 Seetronic 5pin XLR Cable



Specifications are subject to change without notice ©Elation Professional 10/09/19

Elation Professional USA | 6122 S. Eastern Ave. | Los Angeles, CA. 90040
 323-582-3322 | 323-832-9142 fax | www.elationlighting.com | info@elationlighting.com

Elation Professional B.V. | Junostraat 2 | 6468 EW Kerkrade, The Netherlands
 +31 45 546 85 66 | +31 45 546 85 96 fax | www.elationlighting.eu | info@elationlighting.eu